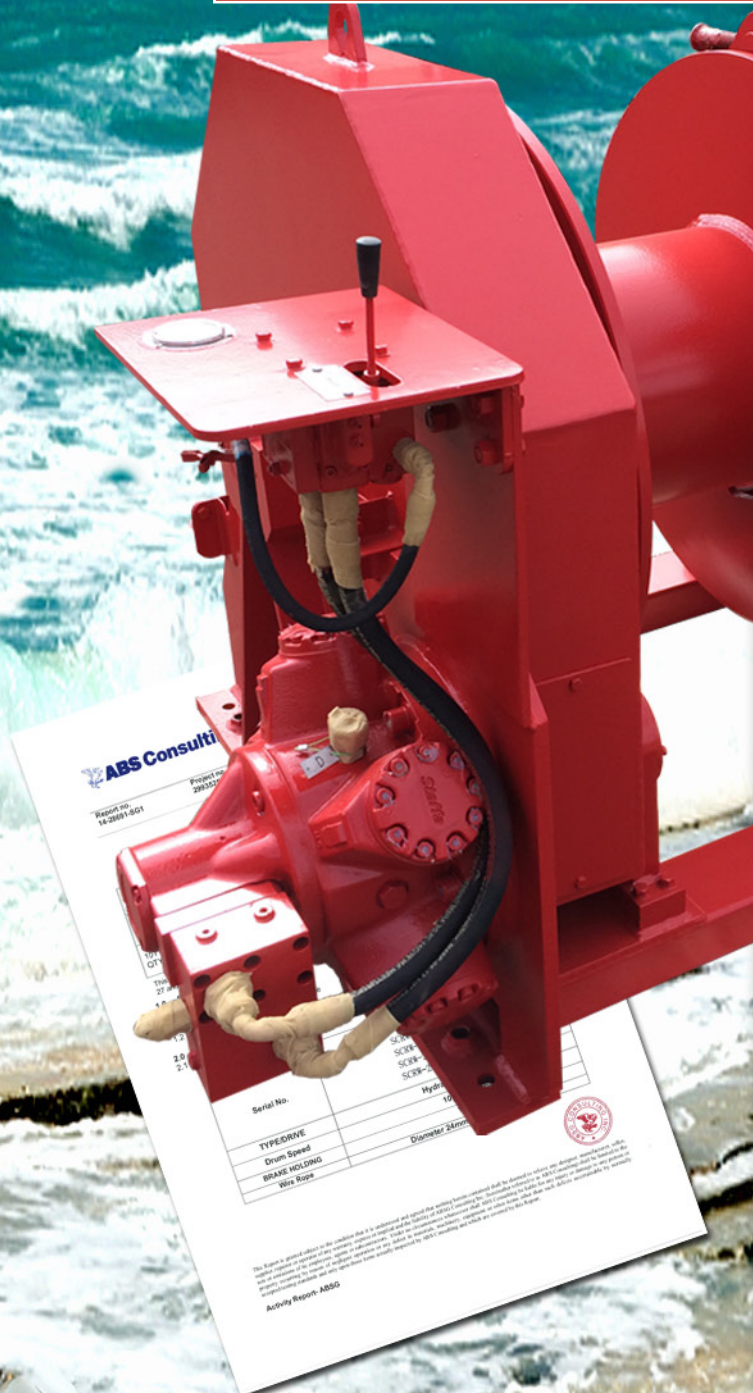




# 10 ton single drum winch



ABS Consulting

Project No. 293501  
Report No. 14-2001-001

Serial No.

TYPE/DRIVE

Drum Speed

BRAKE HOLDING

Wire Rope

Hyd

10

10

Diameter 24mm



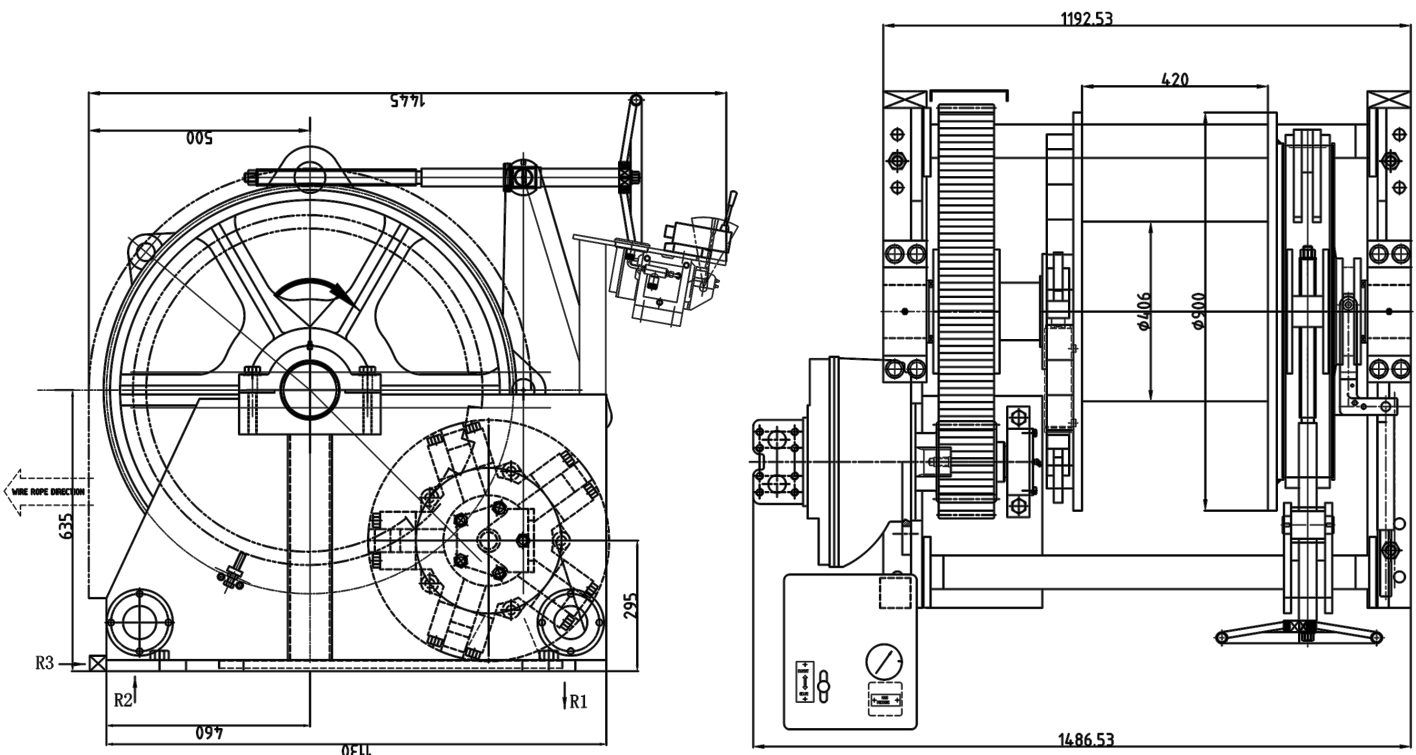
This Report is prepared for the customer and is not to be used for any other purpose. It is the responsibility of the customer to ensure that the equipment is used in accordance with the manufacturer's instructions and that the equipment is maintained in accordance with the manufacturer's recommendations. The customer is responsible for the safe use of the equipment and for the safety of the crew. The customer is also responsible for the safe use of the equipment and for the safety of the crew. The customer is also responsible for the safe use of the equipment and for the safety of the crew.

Activity Report-ABS50

# 10 ton single drum winch

Four (4) x 10 ton hydraulic single drum Mooring Winches

Pulling capacity: 10 ton at 1st layer	Speed: 10 m/min at 1st layer
Drum capacity: 250 meters of dia. 24mm	Dimensions: Length 1500mm – Width 1500mm – Height 1500mm
Brake capacity: 15 ton at 1st layer static, manual operated bandbrake	Weight 2 ton
Gearing: Covered spur gear	Clutch: manual operated claw type
Hydraulic motor: Staffa HMB80 fixed displacement Hydraulic Motor	Winch control: manual lever hydraulic local control
	Certificates : ABS Consulting 3rd party



**Marine Equipment Services b.v.**

Phone +31 (0)183 50 20 52, Cellphone: +31 (0) 653 266 524, Fax +31 (0)183 50 16 38  
E-mail [jvm@mestrading.com](mailto:jvm@mestrading.com) - Internet [www.mestrading.com](http://www.mestrading.com)